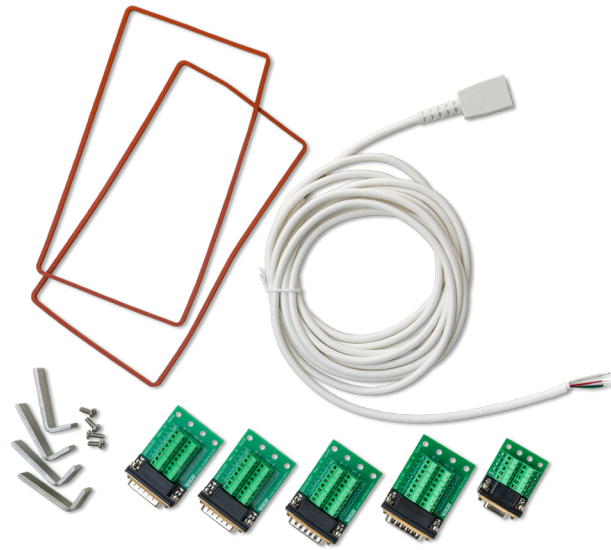


PressureMAT Panel Mount Kit

Product Information



The PMAT panel mount kits are an optional accessory for panel-mounting your PressureMAT transmitter on your own system. Depending on the PMAT model, there are different panel mount kits which come with the appropriate number of cables and connectors corresponding to the PMAT inputs.

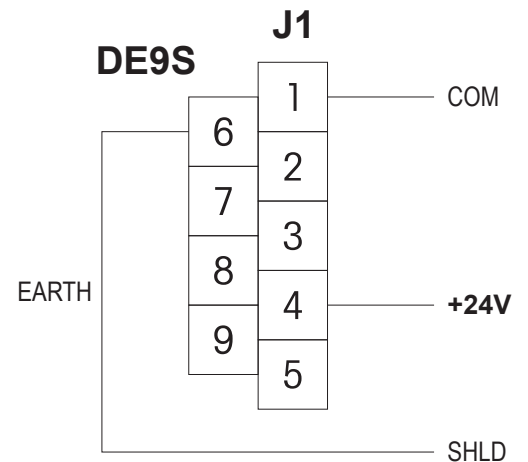
The kit comes included with 2x gaskets, 4x mounting brackets and screws, 1x power input connector and 1x sensor cable and input connector for each pressure input on the PMAT.

Pressure Sensor Wiring

Signal	DB15	Pressure Cable
Signal +	2	White
Signal -	7	Green
Excit +	9	Red
Excit -	12	Black
Shield	12	Silver

Power Wiring

Signal	DB9
+12-24VD	4
Common	1



Ordering Information

Item ID	SAP ID	Item Description
PMAT-PANEL-2-C	30950788	Mounting Kit PMAT2
PMAT-PANEL-3-C	30950790	Mounting Kit PMAT3
PMAT-PANEL-4-C	30950792	Mounting Kit PMAT4
PMAT-PANEL-S-C	30950794	Mounting Kit PMAT-S

Your Partner in Precision

Pendotech at METTLER TOLEDO
Process Analytics

Subject to technical changes.
 © 06/2026 Pendotech at METTLER TOLEDO. All rights reserved.
 PA2245en A
 MarCom Plainsboro, USA

www.pendotech.com

For more information